

Electronic Diagnostics Operation Tip Sheet - Crawlers and Dozers

Screen Feature Index



Equipment Selection
• Vehicle Selection



Controller Status:
• Controller Hardware Version
• Software Version
• Communication Status



Retrieve Controller Faults:
• Communication Status
• Drive-Train Controller Fault Display



Monitor:
• Drive-Train Controller
• Instrument Cluster Hours
• Joystick Controller



Programming:
• Drive-Train Controller



Configuration:
• Check Sensor Outputs
• Vehicle Configuration



Troubleshooting:
• Drive-Train Fault Code Diagnostic Information
• Component Information
• Vehicle Schematics



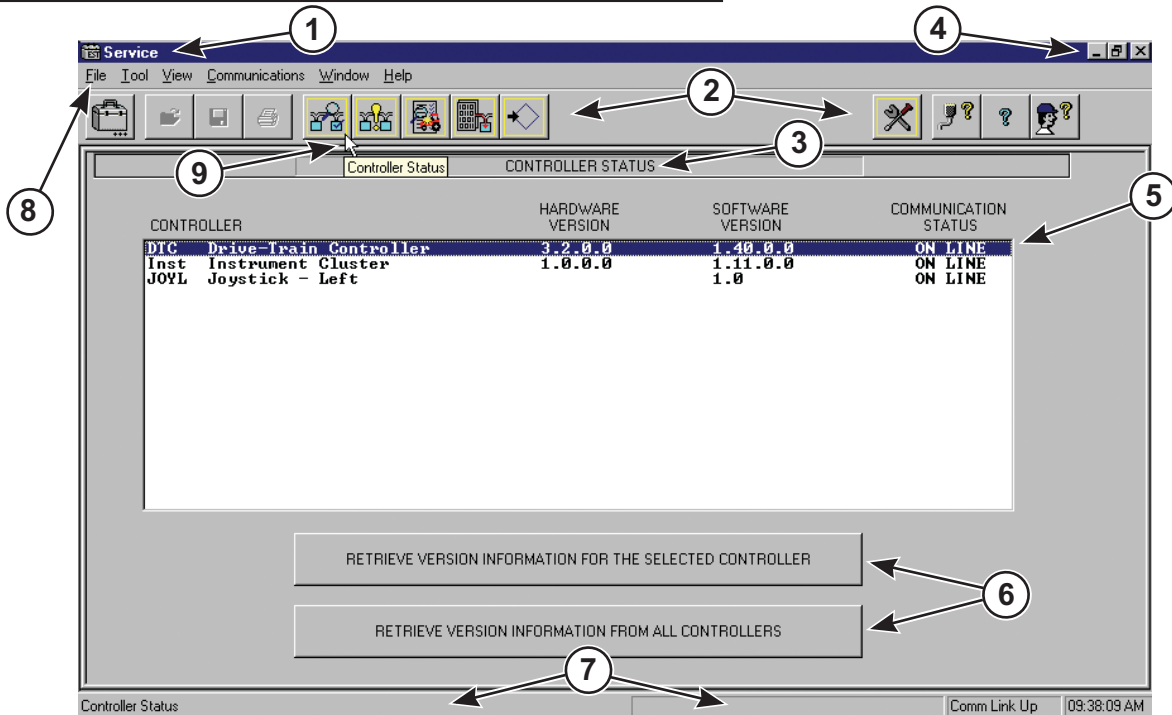
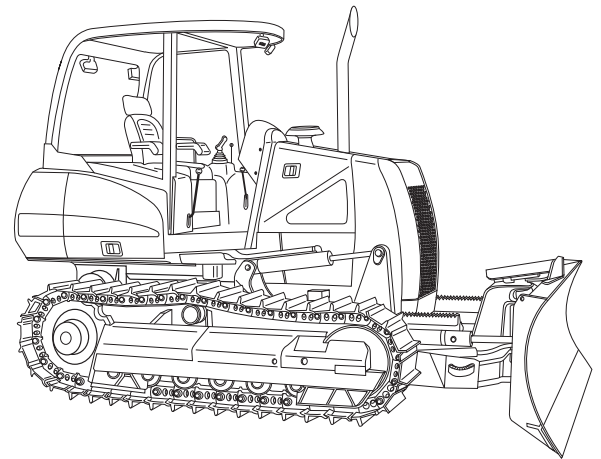
Cable and Adapter Help:
• EST Connection Information



Help On Item
• EST Screen Help Files



User Help
• EST Help Files



- 1 Application Title - Identifies the vehicle the Diagnostic Tool will communicate with.
- 2 Tool Bar - Provides a method to switch diagnostic screens and functions.
- 3 Screen Function Identification - Identifies current screen selection.
- 4 Minimize, Restore, Close, and Maximize Button - Used to adjust the screen size relative to the computer display screen. It also provides a method to close/exit the diagnostic program.
- 5 Controller Information - Provides information concerning the controllers, software, and communication status.
- 6 Function Buttons - Signal the computer to gather specific information concerning the vehicle controllers for viewing on the screen.
- 7 Status Bar - Displays information relative to the current operation and the status of the communication link.
- 8 Pull Down Menus - Provide a method to change vehicle applications, operate diagnostic functions, view version information, and close/exit the diagnostic program.
- 9 Cursor Arrow and Text - Diagnostic function selection tool and text description of current selection.