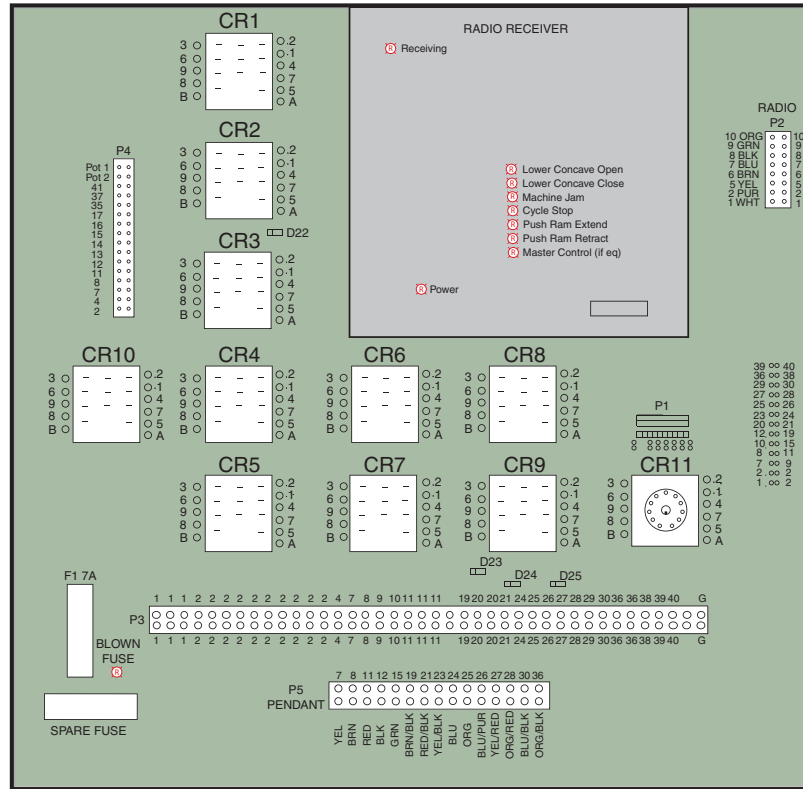


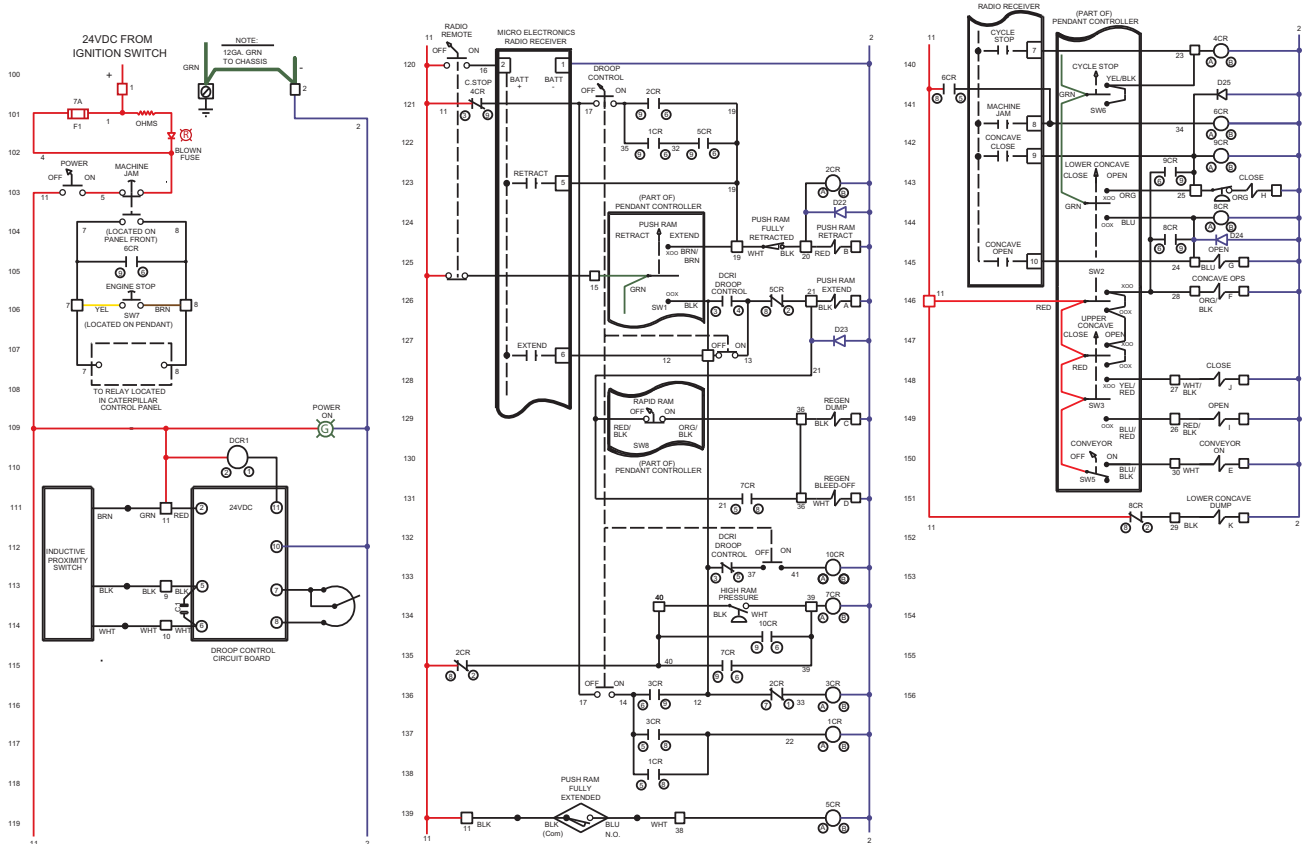
# Sample Schematics

Schematic diagrams provide a valuable tool in understanding and for diagnostic purposes. When properly presented, the schematic diagram allows specific components and their functions to be located, pinpointed and then isolated for testing purposes. After properly testing, only the faulty component(s) need be replaced.

## Circuit Board

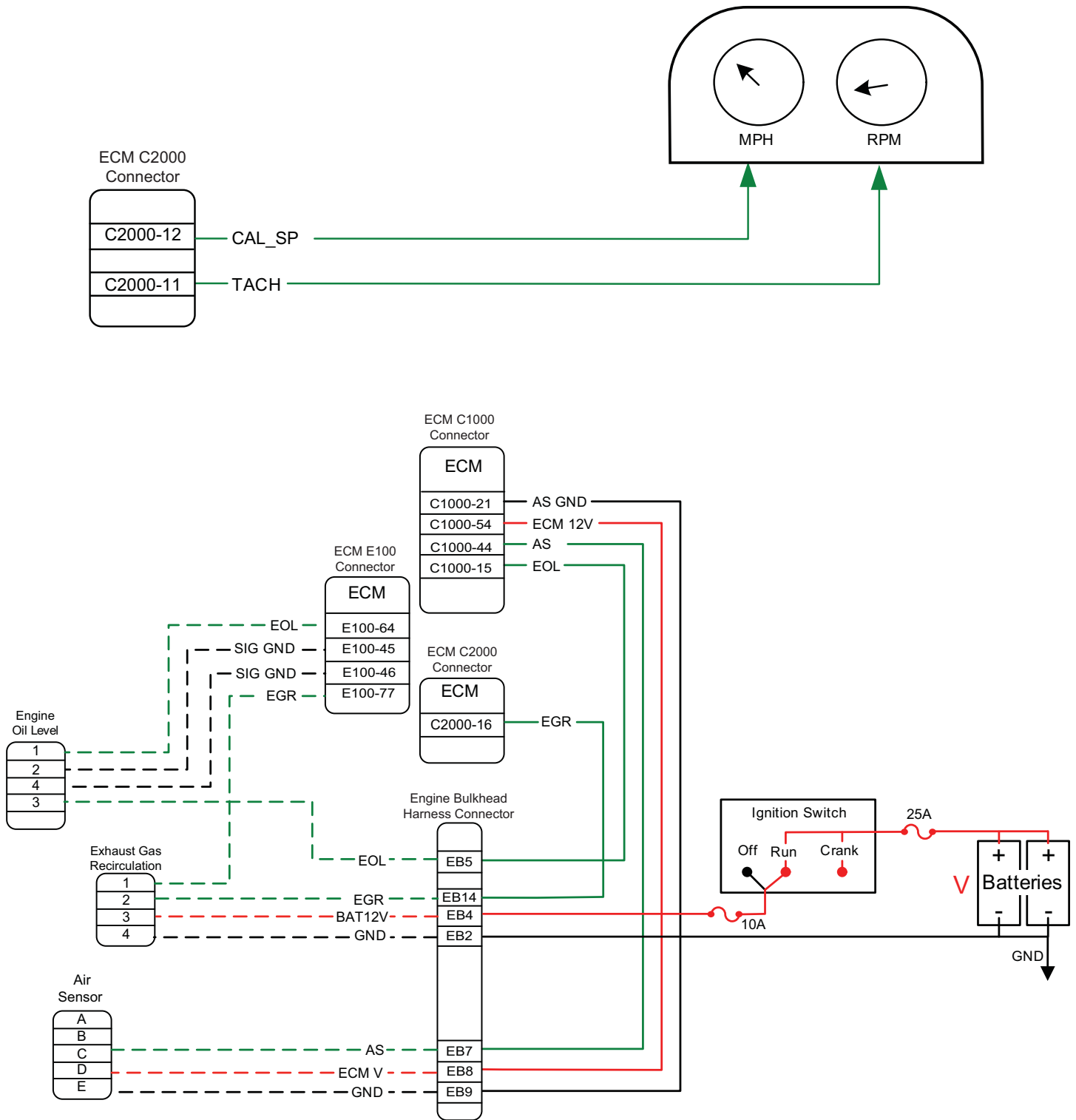


## 10 RELAY - PRINTED CIRCUIT BOARD



## Schematic Circuits

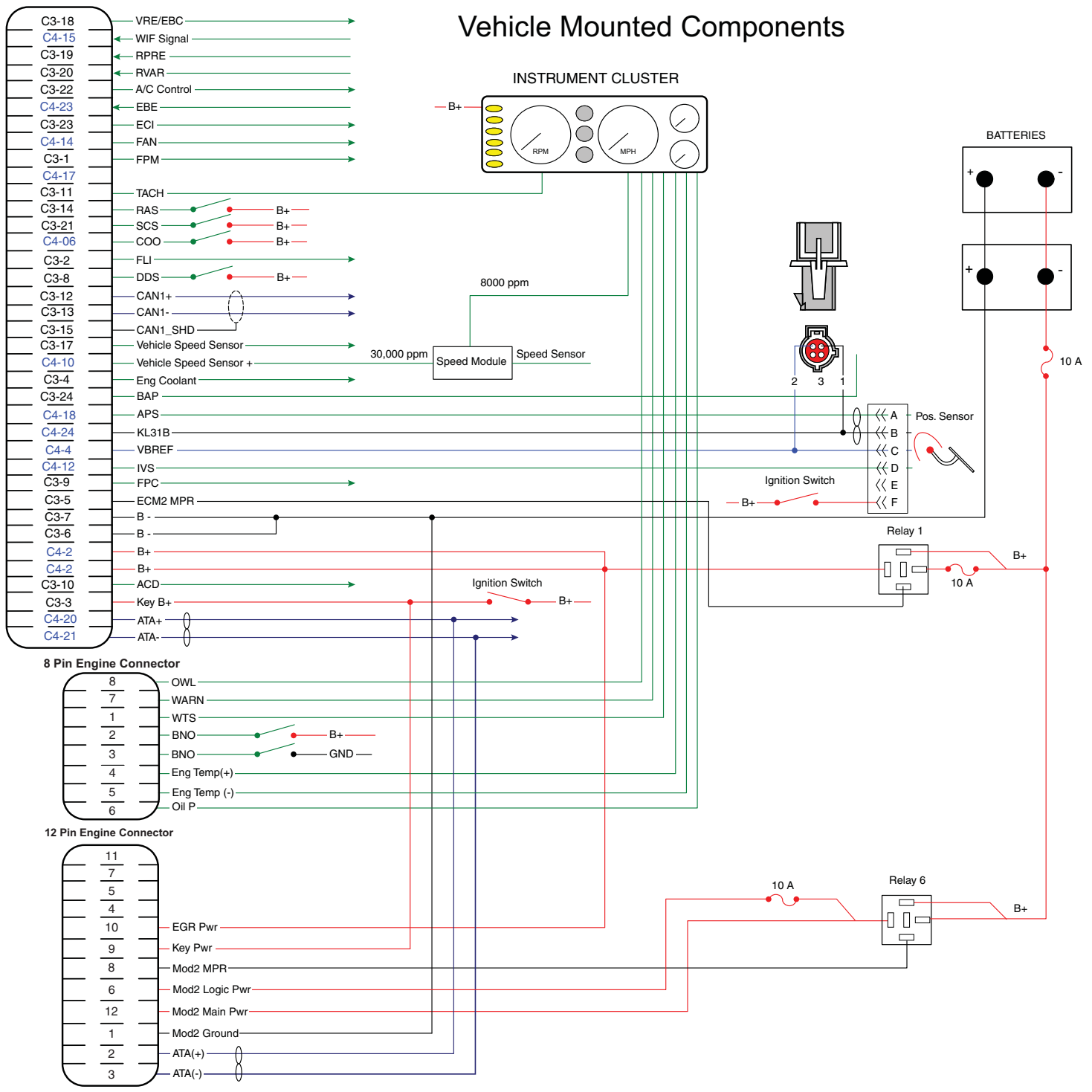
Electrical circuits can be separated from the system schematic diagrams for simplicity and circuit diagnostic purposes. Color improves readability and understanding.



# System Schematics

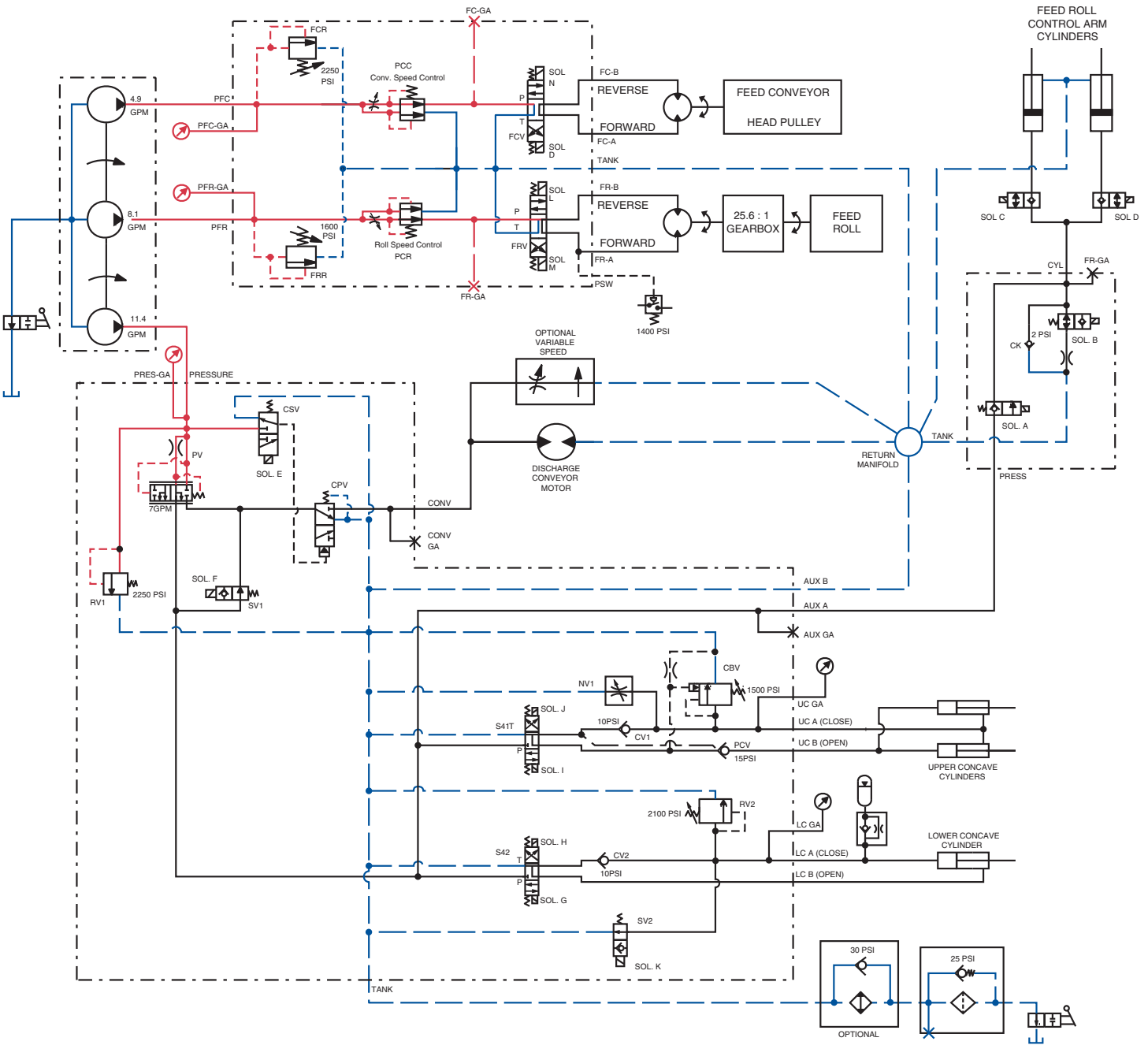
Electrical harness diagrams can be used to display the connection of the individual circuits.

## Vehicle Mounted Components



# Hydraulic Schematic Diagrams

Hydraulic schematic diagrams provide a more exact view of a hydraulic component/circuit. With a hydraulic schematic the true operation is sometimes easier to isolate by examining the specific spool positions and the resulting component functions.



## Functional Component Schematic Diagrams

Schematic diagrams include more than electrical circuits. Functional circuit diagrams communicate a different level of schematic understanding. This type of diagram should be created from simplest component (first) to complete circuit (last) as this allows the component drawings to be used as the circuit diagram comes together.

